



The 220 Series is designed for use on tanks where quick and easy personnel access is desired.

Introduction

The Varec 220 Series Roof Manway Covers are designed for quick, easy access to storage tanks. They are designed for working pressures up to 1 psig [6.9 kPa].

Features

The cover is held closed by quick-opening cast wing nuts which facilitate rapid entry to the tank. Two configurations are provided for even load distribution of the seating surfaces. The 18" and 20" sizes incorporate a rigid center, while the 24", 30" and 36" sizes have a multiple number of hinged lugs and wing nuts for even load distribution. Both configurations include an extra heavy, compliant cover insert to ensure a gas-tight seal and non-sparking operation. The large 36" size allows quick and easy tank access to personnel equipped with breather packs.

The design and construction materials provide a rugged yet lightweight cover which is easy to handle. Varec 220 Series covers are constructed of cast iron base and cover with brass yokes and wing nuts. Also, the 18" and 20" covers have a fabricated steel center beam. 356 T6 cast aluminum and stainless steel construction is available. All covers incorporate tallow impregnated flax cover inserts and flanged bases for mounting. The roof manway covers are available in sizes 18" to 36".



Technical Data

- Easy access.
- Even load distribution design.
- Gas-tight seal.
- Non-sparking.
- 18", 20", 24", 30", 36" sizes available.
- Available in aluminum, cast iron and stainless steel construction.

Specifications

Sizes

18", 20", 24", 30", 36"

Connections

Base is drilled for bolting

Steel base for welding only (undrilled)

Materials of Construction

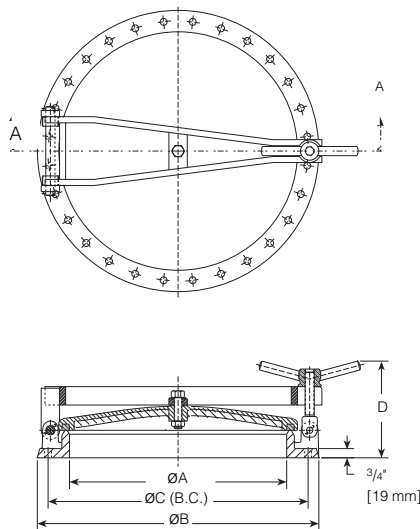
Base	Cover	Wing Nuts	Insert
Cast iron	Cast iron	Brass	Tallow Treated Flax Insert ¹
Aluminum	Aluminum		
Carbon Steel	Cast Iron		
316 Stainless Steel	316 Stainless Steel		

Note

1. Consult your sales representative for other materials.

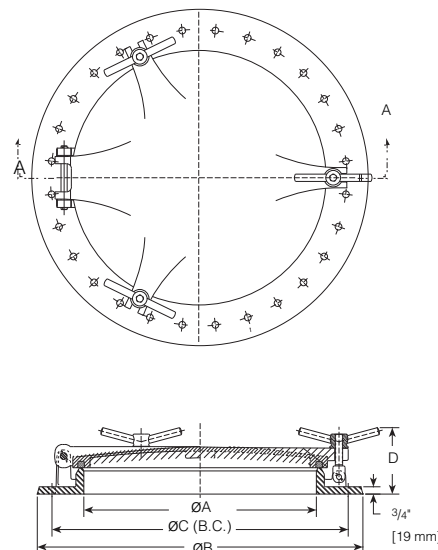
Dimensions, inches and pounds [millimeters and kilograms]

18" and 20" Sizes



Section A-A

24", 30" and 36" Sizes



Section A-A

Ordering Information

Model	Description
220	Roof Manway Cover
Code	Size
18	18"
20	20"
24	24"
30	30"
36	36"
Code	Material
11	Aluminum Base and Cover with Flax Insert
22	Iron Base and Cover with Flax Insert
32	Steel Base and Iron Cover with Flax Insert
66	Stainless Steel Base and Cover with Flax Insert

220 36 22 Example

Example: 36" Model 220 Roof Manway Cover, Iron Base and Cover with Flax Insert.

Size Code	18	20	24	30	36
A Opening Size	17 ³ / ₄ [451]	19 ⁷ / ₈ [505]	24 [610]	30 ¹ / ₄ [768]	35 ¹³ / ₁₆ [910]
B Flange Diameter	23 [584]	26 [660]	33 ¹ / ₄ [845]	36 ¹ / ₂ [927]	45 ¹ / ₂ [1156]
C Diameter Bolt Circle	21 ¹ / ₄ [540]	23 ¹ / ₄ [591]	30 ¹ / ₄ [768]	33 ³ / ₄ [857]	42 ¹ / ₄ [1073]
D Height	7 ⁷ / ₈ [200]	8 [203]	6 ¹ / ₈ [156]	6 ¹ / ₈ [156]	6 ¹ / ₂ [165]
Number of Holes	28	32	28	36	42
Diameter of Holes	9 ¹ / ₁₆ [14]	9 ¹ / ₁₆ [14]	11 ¹ / ₁₆ [17]	11 ¹ / ₁₆ [17]	7 ⁷ / ₈ [22]
Number of Lugs	1	1	3	4	4
Approximate Shipping Weight	100 [45]	130 [59]	200 [91]	275 [125]	375 [170]

Shipping weights shown for iron construction

Tyco Flow Control (TFC) provides the information herein in good faith but makes no representation as to its comprehensiveness or accuracy. This data sheet is intended only as a guide to TFC products and services. Individuals using this data sheet must exercise their independent judgment in evaluating product selection and determining product appropriateness for their particular purpose and system requirements. TFC MAKES NO REPRESENTATIONS OR WARRANTIES, EITHER EXPRESS OR IMPLIED, INCLUDING WITHOUT LIMITATION ANY WARRANTIES OF MERCHANTABILITY OR FITNESS FOR A PARTICULAR PURPOSE WITH RESPECT TO THE INFORMATION SET FORTH HEREIN OR THE PRODUCT(S) TO WHICH THE INFORMATION REFERS. ACCORDINGLY, TFC WILL NOT BE RESPONSIBLE FOR DAMAGES (OF ANY KIND OR NATURE, INCLUDING INCIDENTAL, DIRECT, INDIRECT, OR CONSEQUENTIAL DAMAGES) RESULTING FROM THE USE OF OR RELIANCE UPON THIS INFORMATION. Patents and Patents Pending in the U.S. and foreign countries. Tyco reserves the right to change product designs and specifications without notice. All registered trademarks are the property of their respective owners. Printed in the USA.