



The 42 Series is designed to provide quick access to tanks for product gauging, temperature measurement and sampling.

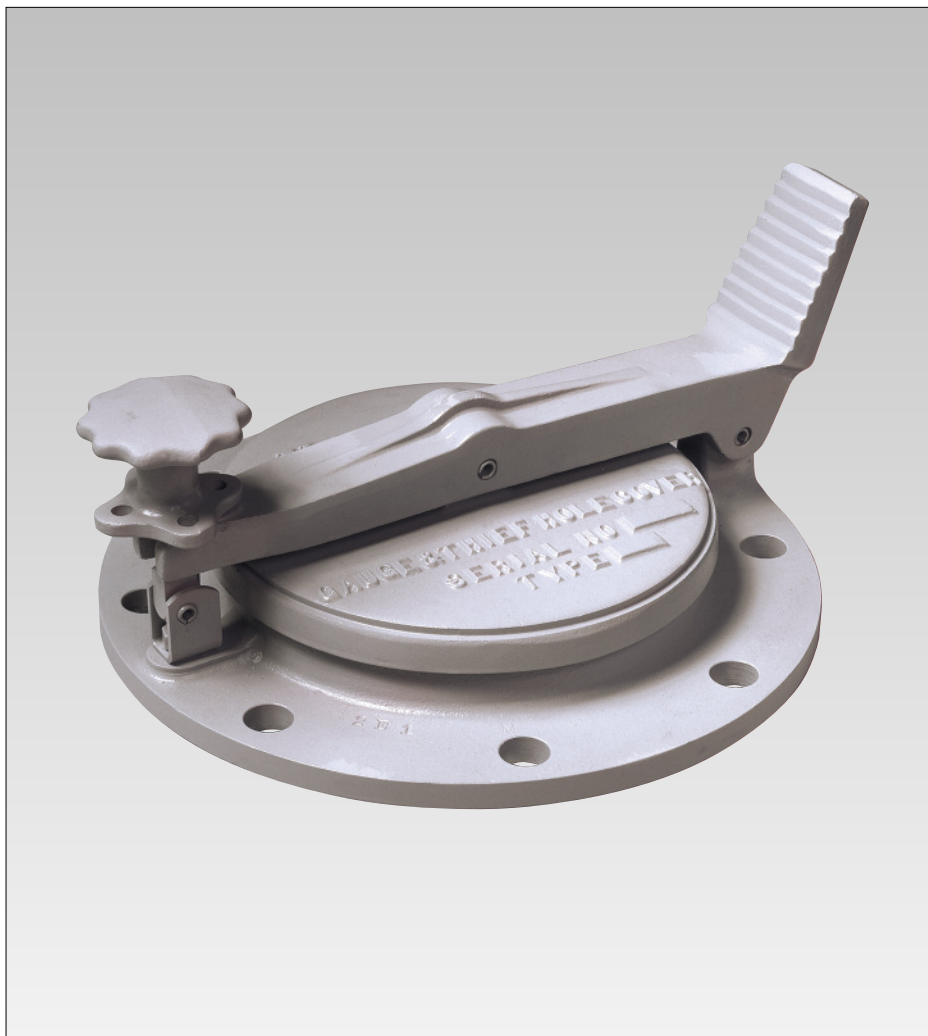
Introduction

The Varec 42 Series Hatch Covers are installed on tanks to provide access for gauging, temperature measurement and sampling. The Hatch Covers are provided with a lockdown device that allows for a gas-tight seal up to 3 psig [20.7 kPa]. For ease of use, the lockdown device includes an ergonomically friendly handwheel

A padlock feature is incorporated to prevent unauthorized tank access through the hatch. In addition, the Varec 42 Series Hatch Covers include a foot pedal to open the cover, enabling the operator free use of both hands while gauging or sampling the tank contents. Once open, the cover can remain open for ease of use.

Construction

As standard, the Varec 42 Series Hatch Covers are available in 356 HT aluminum construction. Other materials are available on request. The flanges are flat face, drilled per ANSI Class 125 dimensions. An optional steel base is available for welding to the tank roof. The 42 Series Hatch Covers are available in 4" to 10" sizes. BUNA-N, Teflon® and Viton® inserts are available.



Technical Data

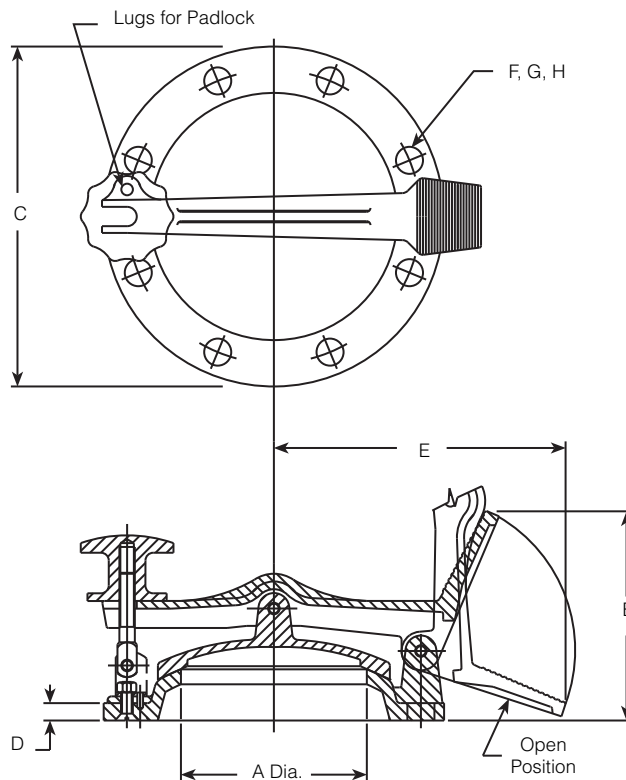
- Sizes 4" to 10".
- Handwheel with padlock feature.
- Non-sparking design.
- Corrosion resistant 356 HT Aluminum.
- Safety foot pedal.
- BUNA-N, Viton® or Teflon® inserts.

Specifications

Dimensions and Weights, in. [mm] and lbs. [kg]

Size Code	4	6	8	0
A Nominal Pipe Size	4 [100]	6 [150]	8 [200]	10 [250]
B Height	5 ³ / ₄ [146]	6 ³ / ₄ [171]	6 ³ / ₄ [171]	7 [178]
C Flange Diameter	9 [229]	11 [279]	13 ¹ / ₂ [343]	16 [406]
D Flange Thickness	1/2 [13]	9/16 [14]	9/16 [14]	5/8 [16]
E Clearance	8 ¹ / ₈ [206]	9 ³ / ₄ [248]	10 ⁷ / ₈ [276]	12 [305]
F Diameter Bolt Circle	7 ¹ / ₂ [191]	9 ¹ / ₂ [241]	11 ³ / ₄ [298]	14 ¹ / ₄ [362]
G Number of Holes	8	8	8	12
H Hole Size	3/4 [19]	7/8 [22]	7/8 [22]	1 [25]
Approximate Shipping Weight	10 [4.5]	12 [5.4]	15 [6.8]	20 [9.1]

Shipping weights shown for aluminum construction. Flange drilling per ANSI 125# F.F. flange. Dimensions are for preliminary general information and should not be used for construction purposes. Certified dimensional drawings are available upon request.



Materials of Construction

Base	Cover	Seat Insert
Aluminum	Aluminum	BUNA-N/Viton®/Teflon®
Carbon Steel	Aluminum	BUNA-N/Viton®/Teflon®
Stainless Steel	Stainless Steel	BUNA-N/Viton®/Teflon®

Ordering Information

Model 42 **Description** Sampling and Gauging Hatch - Lock Down Cover

Code 4 **Size** 4"
 6 6"
 8 8"
 0 10"

Code 11 **Material** Aluminum **Base** Aluminum **Cover** Aluminum
 31 Carbon Steel Aluminum
 66 Stainless Steel Stainless Steel

Code B **Insert Material** BUNA-N
 V Viton®
 T Teflon®

Code A **Connection Type** ANSI 125# Flat Face Flange (Standard)
 W Welded Connection (Available on Carbon Steel Base Only)
 D DIN Flat Face Flange

42 4 11 B A (Example)

Example: 4" 42 Series Sampling and Gauging Hatch Cover, all Aluminum with BUNA-N insert with ANSI 125# Flat Face Flange.

Tyco Flow Control (TFC) provides the information herein in good faith but makes no representation as to its comprehensiveness or accuracy. This data sheet is intended only as a guide to TFC products and services. Individuals using this data sheet must exercise their independent judgment in evaluating product selection and determining product appropriateness for their particular purpose and system requirements. TFC MAKES NO REPRESENTATIONS OR WARRANTIES, EITHER EXPRESS OR IMPLIED, INCLUDING WITHOUT LIMITATION ANY WARRANTIES OF MERCHANTABILITY OR FITNESS FOR A PARTICULAR PURPOSE WITH RESPECT TO THE INFORMATION SET FORTH HEREIN OR THE PRODUCT(S) TO WHICH THE INFORMATION REFERS. ACCORDINGLY, TFC WILL NOT BE RESPONSIBLE FOR DAMAGES (OF ANY KIND OR NATURE, INCLUDING INCIDENTAL, DIRECT, INDIRECT, OR CONSEQUENTIAL DAMAGES) RESULTING FROM THE USE OF OR RELIANCE UPON THIS INFORMATION. Patents and Patents Pending in the U.S. and foreign countries. Tyco reserves the right to change product designs and specifications without notice. All registered trademarks are the property of their respective owners. Printed in the USA.